



Series 4050

Stainless Steel
Swing Check Valve

FEATURES

MANUFACTURED IN TAIWAN (R.O.C.)

HEAVY PATTERN DESIGN

STAINLESS STEEL 316

INVESTMENT CASTING

NOT WATERMARKED AND NOT SUITABLE FOR INSTALLATIONS THAT
MUST BE AS/NZS 3500 COMPLIANT (DRINKING OR NON-DRINKING WATER)

ALL VALVES PRESSURE TESTED DURING PRODUCTION

SIZE RANGE: 10MM TO 80MM

PRESSURE AND TEMPERATURE RATINGS

TEMPERATURE RANGE: -20°C TO 200°C

MAXIMUM OPERATING PRESSURE AT NOMINAL TEMPERATURES: 1600 kPa

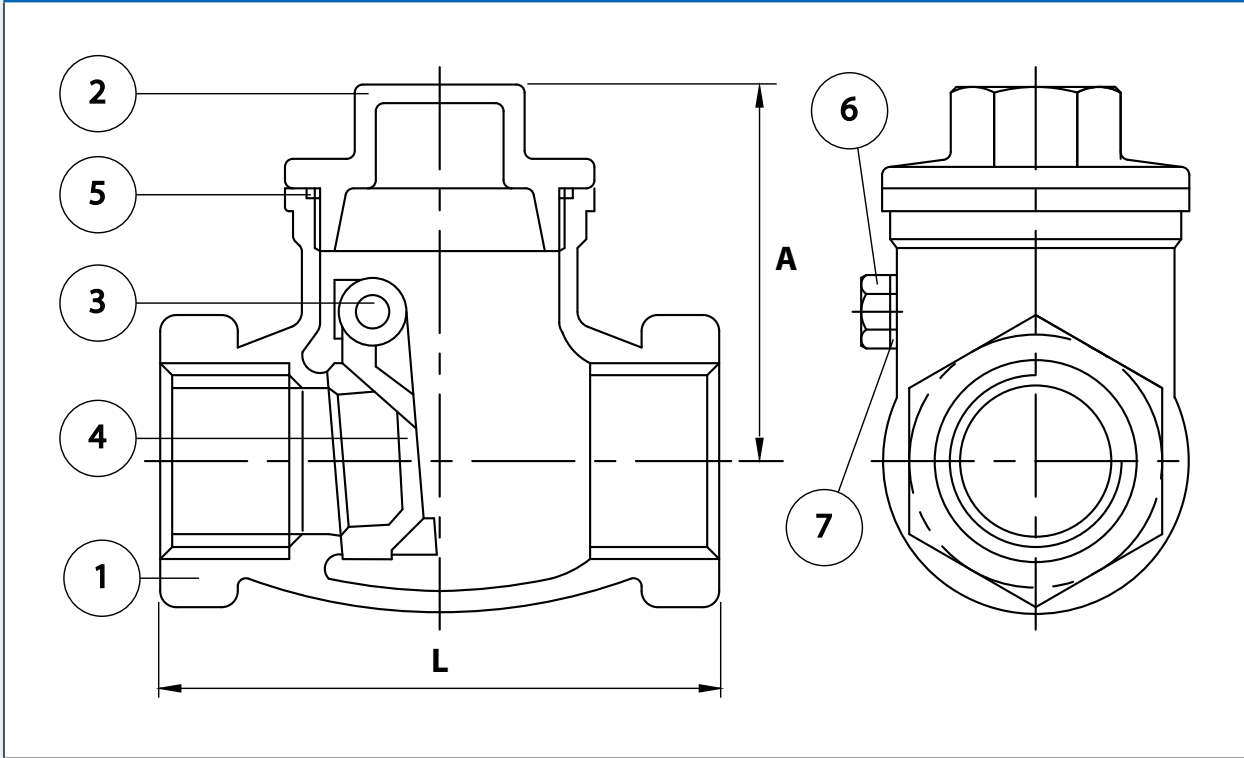
FOR RATINGS AT SPECIFIC TEMPERATURES REFER TO GRAPH OVERLEAF

Series 4050

Stainless Steel Swing Check Valve



DIMENSIONAL AND COMPONENT DIAGRAM



MATERIALS

POS.	PART NAME	MATERIALS
1	BODY	STAINLESS STEEL 316
2	CAP	STAINLESS STEEL 316
3	PIN	STAINLESS STEEL 316
4	DISC	STAINLESS STEEL 316
5	GASKET	PTFE
6	PLUG	STAINLESS STEEL 316
7	PLUG WASHER	PTFE

DIMENSIONS - mm

Prod. Code	Size	A	L	Kv	Wgt kg
4050010	10	42	65	3.4	0.322
4050015	15	42	65	5.6	0.306
4050020	20	51	80	12.9	0.436
4050025	25	59	90	24.2	0.654
4050032	32	66	104	38.9	0.968
4050040	40	73	120	56.2	1.49
4050050	50	79	141	103.8	2.16
4050065	65	93	180	164.3	3.93
4050080	80	104	201	242.2	5.50

PRESSURE/TEMPERATURE DIAGRAM

