



Series 1940

2-Piece Stainless Steel Spring Check Valve

FEATURES

MANUFACTURED IN TAIWAN (R.O.C.)

STAINLESS STEEL 316 BODY AND SPRING

HEAVY PATTERN DESIGN

INVESTMENT CASTING

PTFE RESILIENT SEAT DISC

NOT WATERMARKED AND NOT SUITABLE FOR INSTALLATIONS THAT
MUST BE AS/NZS 3500 COMPLIANT (DRINKING OR NON-DRINKING WATER)

ALL VALVES PRESSURE TESTED DURING PRODUCTION

SIZE RANGE: 6MM TO 50MM

PRESSURE AND TEMPERATURE RATINGS

TEMPERATURE RANGE: -20°C TO 170°C

MAXIMUM OPERATING PRESSURE AT NOMINAL TEMPERATURES: 6300 kPa

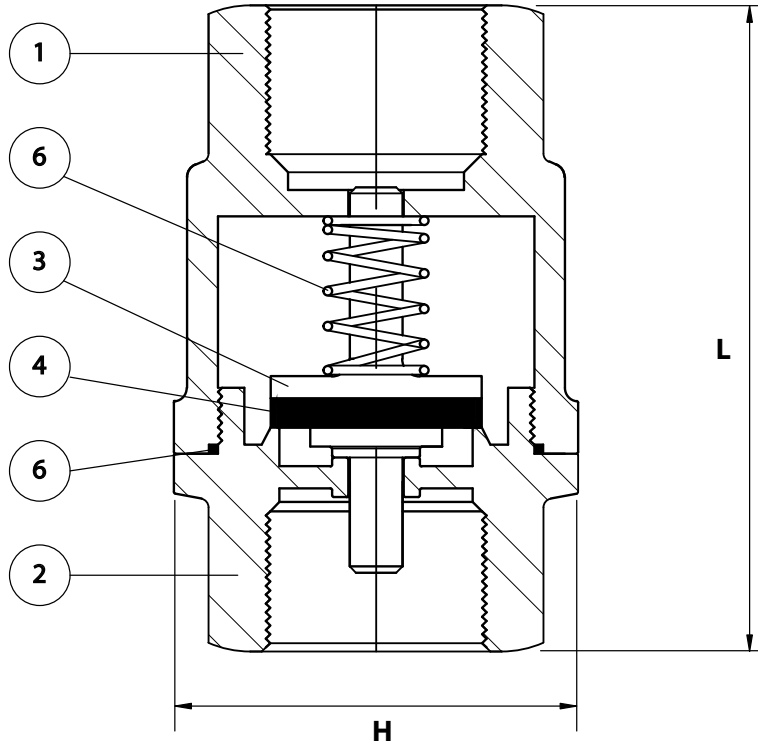
FOR RATINGS AT SPECIFIC TEMPERATURES REFER TO GRAPH OVERLEAF

Series 1940

2-Piece Stainless Steel Spring Check Valve



DIMENSIONAL AND COMPONENT DIAGRAM



MATERIALS

POS.	PART NAME	MATERIALS
1	BODY	STAINLESS STEEL 316
2	END ADAPTER	STAINLESS STEEL 316
3	DISC	STAINLESS STEEL 316
4	SEAT	RPTFE
5	SPRING	STAINLESS STEEL 316
6	GASKET	RPTFE

DIMENSIONS - mm

Prod. Code	Size	L	H	Kv	Wgt kg
1940006	6	59	34	0.80	0.186
1940010	10	59	34	0.80	0.171
1940015	15	59	34	1.20	0.191
1940020	20	73	46	1.60	0.391
1940025	25	89	54	2.49	0.627
1940032	32	106	63	3.19	0.952
1940040	40	127	74	3.99	1.49
1940050	50	127	91	5.00	2.18

PRESSURE/TEMPERATURE DIAGRAM

