



Series 1911

Roma Brass Spring Check Valve

FEATURES

MANUFACTURED IN ITALY

6MM PORTS ON BOTH SIDES OF THE JUMPER

VITON® SEAT

CAN BE INSTALLED IN HORIZONTAL OR VERTICAL POSITION

SUITABLE FOR USE WITH GASOLINE AND FUELS

NOT WATERMARKED AND NOT SUITABLE FOR INSTALLATIONS THAT
MUST BE AS/NZS 3500 COMPLIANT (DRINKING OR NON-DRINKING WATER)

ALL VALVES PRESSURE TESTED DURING PRODUCTION

SIZE RANGE: 10MM TO 50MM

PRESSURE AND TEMPERATURE RATINGS

TEMPERATURE RANGE: -15°C TO 120°C

MAXIMUM OPERATING PRESSURE AT NOMINAL TEMPERATURES:

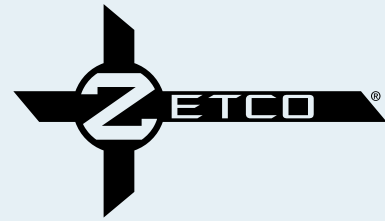
10MM TO 25MM: 2500 kPa

32MM TO 50MM: 1800 kPa

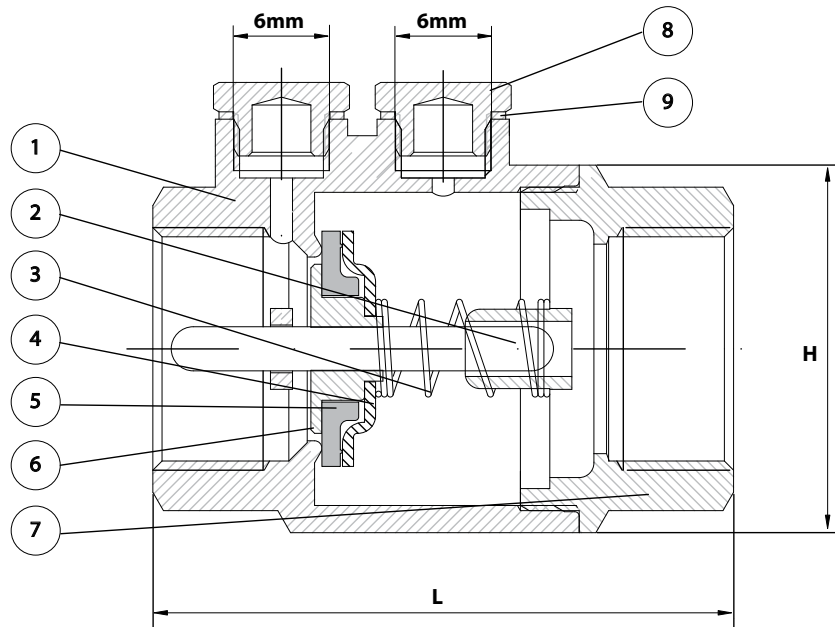
CRACKING PRESSURE: 3 kPa

Series 1911

Roma Brass Spring Check Valve



DIMENSIONAL AND COMPONENT DIAGRAM



MATERIALS

POS.	PART NAME	MATERIALS
1	BODY	BRASS
2	JUMPER	BRASS
3	SPRING	STAINLESS STEEL 302
4	SEAT	STAINLESS STEEL 304
5	GASKET	VITON®
6	PLUG	BRASS
7	END ADAPTOR	BRASS
8	PLUG	BRASS
9	GASKET	ALUMINIUM

DIMENSIONS - mm

Prod. Code	Size	L	H	Kv	Wgt kg
1911010	10	63	48.5	3	0.235
1911015	15	68.5	48.5	4.1	0.255
1911020	20	69.5	56	7	0.345
1911025	25	79	62	11.5	0.475
1911032	32	84	74	16.5	0.685
1911040	40	93.5	84.5	24.1	0.955
1911050	50	108	100.5	39.3	1.34