



Series 1909

Europa Brass Spring Check Valve

FEATURES

MANUFACTURED IN ITALY

HEAVY PATTERN DESIGN

BRASS JUMPER

NBR SEAT

CAN BE INSTALLED IN HORIZONTAL OR VERTICAL POSITION

NOT WATERMARKED AND NOT SUITABLE FOR INSTALLATIONS THAT
MUST BE AS/NZS 3500 COMPLIANT (DRINKING OR NON-DRINKING WATER)

ALL VALVES PRESSURE TESTED DURING PRODUCTION

SIZE RANGE: 10MM TO 100MM

PRESSURE AND TEMPERATURE RATINGS

TEMPERATURE RANGE: -20°C TO 70°C

MAXIMUM OPERATING PRESSURE AT NOMINAL TEMPERATURES:

10MM TO 25MM: 2500 kPa

32MM TO 50MM: 1800 kPa

65MM TO 100MM: 1200 kPa

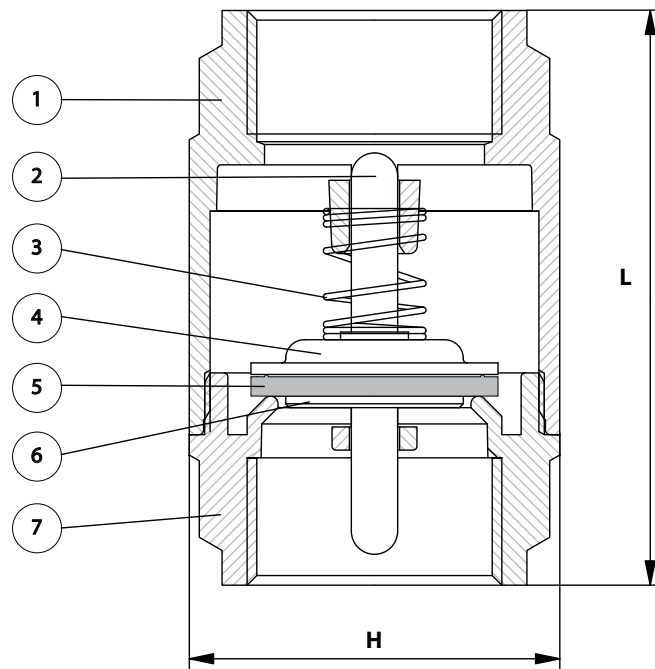
CRACKING PRESSURE: 3 kPa

Series 1909

Europa Brass Spring Check Valve



DIMENSIONAL AND COMPONENT DIAGRAM



MATERIALS

POS.	PART NAME	MATERIALS
1	BODY	BRASS
2	JUMPER	BRASS
3	SPRING	STAINLESS STEEL 304
4	SEAL	STAINLESS STEEL 304
5	WASHER	NBR
6	PLUG	BRASS
7	ADAPTOR	BRASS

DIMENSIONS - mm

Prod. Code	Size	L	H	Kv	Wgt kg
1909010	10	55	34.5	3	0.180
1909015	15	58.5	34.5	4.1	0.190
1909020	20	65	41.5	7	0.280
1909025	25	74.5	48	11.5	0.405
1909032	32	83	60.5	16.5	0.660
1909040	40	93	71	24.1	0.875
1909050	50	101	87	39.3	1.27
1909065	65	122	120	70.6	2.81
1909080	80	141.5	140.5	105.6	4.25
1909100	100	158.5	172.5	155.3	6.32