



## Series 1835

Zetco Bronze  
Swing Check Valve  
NPT Threads

### FEATURES

MANUFACTURED IN ITALY

ANSI B1.20.1 NPT THREADS

FULL FLOW DESIGN

SUITABLE FOR HOT WATER SYSTEMS

STEAM RATED

CAN BE INSTALLED IN HORIZONTAL OR VERTICAL POSITION

ALL VALVES PRESSURE TESTED DURING PRODUCTION

SIZE RANGE: 15MM TO 80MM

### PRESSURE AND TEMPERATURE RATINGS

MAXIMUM OPERATING PRESSURE AT NOMINAL TEMPERATURES:

STEAM: 1050 kPa @ 186°C

WATER: 2500 kPa @ 99°C

FOR RATINGS AT SPECIFIC TEMPERATURES REFER TO GRAPH OVERLEAF



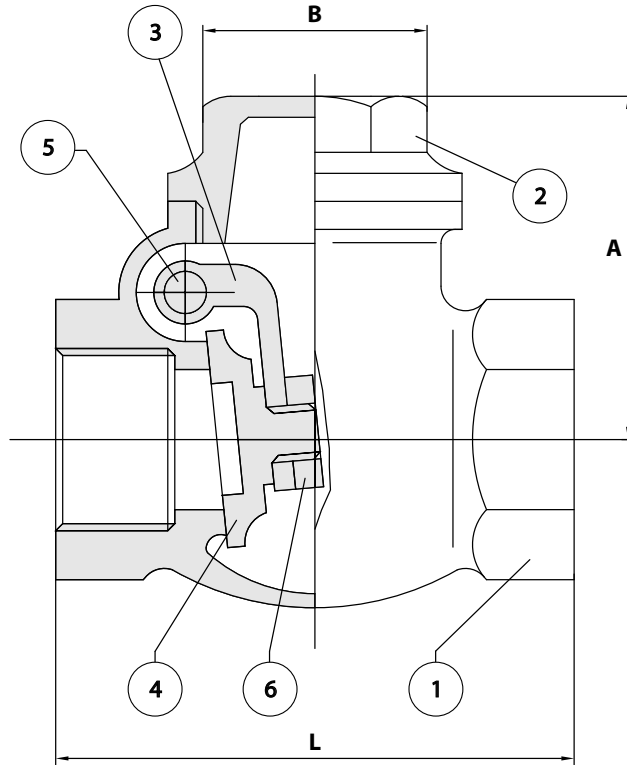
# Series 1835

Zetco Bronze Swing Check Valve

NPT Threads



## DIMENSIONAL AND COMPONENT DIAGRAM



## MATERIALS

POS.	PART NAME	MATERIALS
1	BODY	BRONZE
2	BONNET	BRONZE
3	HINGE	BRONZE
4	DISC	BRONZE
5	PIN	DZR BRASS
6	NUT	STAINLESS STEEL 316

## DIMENSIONS - mm

Prod. Code	Size	A	B	L	Kv	Wgt kg
1835015	15	40	27	62	36	0.315
1835020	20	47	27	74	72	0.495
1835025	25	56	39	84	114	0.757
1835032	32	59	39	97	168	1.04
1835040	40	72	46	110	227	1.65
1835050	50	81	58	132	360	2.51
1835065	65	92	70	151	800	3.69
1835080	80	115	90	178	1140	6.10

## PRESSURE/TEMPERATURE DIAGRAM

