



Series 1806

Zetco Bronze
WaterMarked
Screwed Bonnet
Lift Check

FEATURES

MANUFACTURED IN ITALY

WATERMARKED TO AS 1628 LICENCE WM-020284

METAL DISC

AVAILABLE WITH NPT THREADS

ALL VALVES PRESSURE TESTED DURING PRODUCTION

SIZE RANGE: 15MM TO 50MM

PRESSURE AND TEMPERATURE RATINGS

MAXIMUM OPERATING PRESSURE AT NOMINAL TEMPERATURES:

STEAM: 1050 kPa @ 186°C

WATER: 2500 kPa @ -10°C TO 99°C

FOR RATINGS AT SPECIFIC TEMPERATURES REFER TO GRAPH OVERLEAF



WaterMark

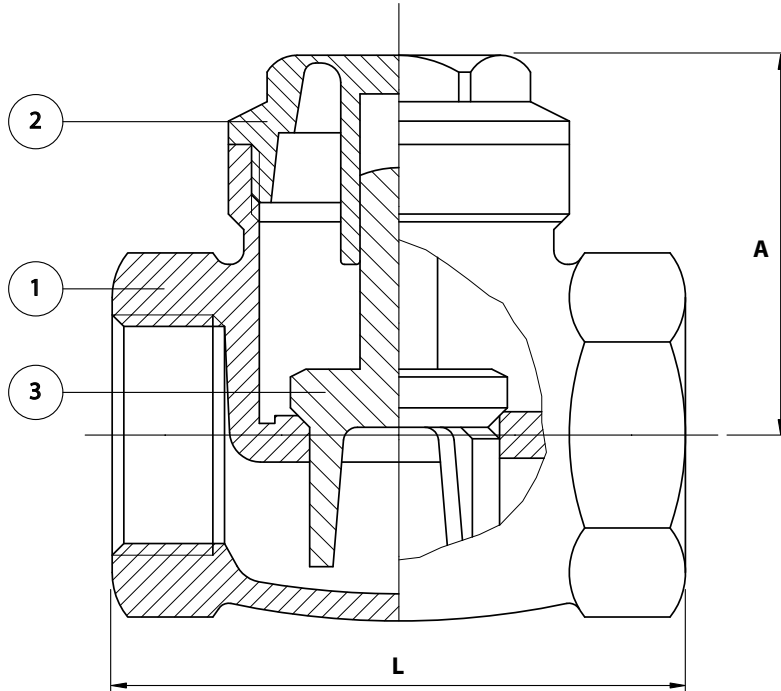
IAPMO WM-020284
AS 1628

Series 1806

Zetco Bronze WaterMarked
Screwed Bonnet Lift Check



DIMENSIONAL AND COMPONENT DIAGRAM



MATERIALS

POS.	PART NAME	MATERIALS
1	BODY	BRONZE
2	CAP	DZR BRASS (SIZES DN15~DN40)
		BRONZE (SIZE DN50)
3	DISC	DZR BRASS (SIZES DN15~DN25)
		BRONZE (SIZES DN32~DN50)

DIMENSIONS - mm

Prod. Code	Size	A	L	Wgt kg
1806015	15	35	55	0.280
1806020	20	40	62	0.464
1806025	25	45	74	0.700
1806032	32	60	90	1.16
1806040	40	60	100	1.40
1806050	50	70	128	2.51

PRESSURE/TEMPERATURE DIAGRAM

