



## Series 1805

Zetco Bronze  
WaterMarked  
Swing Check Valve

### FEATURES

MANUFACTURED IN ITALY

WATERMARKED TO AS 1628 LICENCE WM-020284

FULL FLOW DESIGN

SUITABLE FOR HOT WATER SYSTEMS

STEAM RATED

CAN BE INSTALLED IN HORIZONTAL OR VERTICAL POSITION

ALL VALVES PRESSURE TESTED DURING PRODUCTION

SIZE RANGE: 15MM TO 100MM

### PRESSURE AND TEMPERATURE RATINGS

MAXIMUM OPERATING PRESSURE AT NOMINAL TEMPERATURES:

STEAM: 1050 kPa @ 186°C

WATER: 2500 kPa @ 99°C

FOR RATINGS AT SPECIFIC TEMPERATURES REFER TO GRAPH OVERLEAF

BIM-MED<sup>AUS</sup>



**WaterMark**

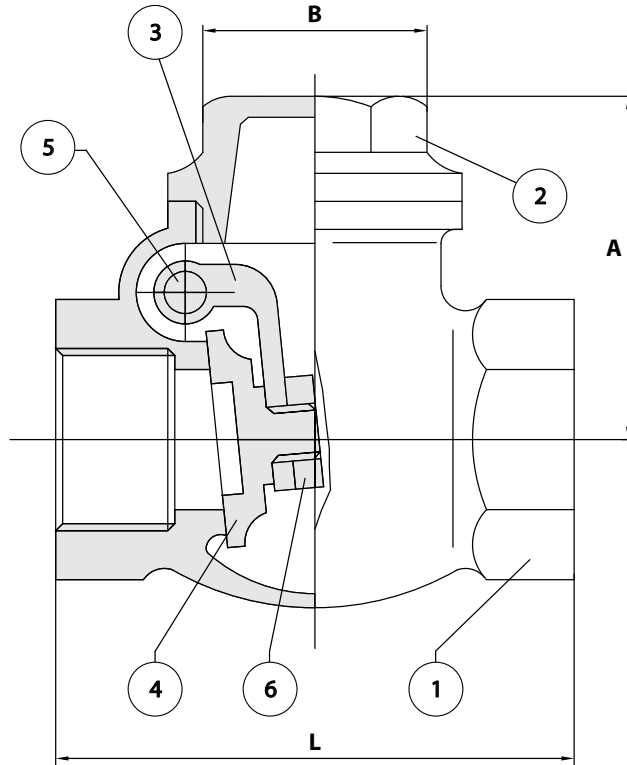
IAPMO WM-020284  
AS 1628

# Series 1805

Zetco Bronze WaterMarked  
Swing Check Valve



## DIMENSIONAL AND COMPONENT DIAGRAM



## MATERIALS

POS.	PART NAME	MATERIALS
1	BODY	BRONZE
2	BONNET	BRONZE
3	HINGE	BRONZE
4	DISC	BRONZE
5	PIN	DZR BRASS
6	NUT	STAINLESS STEEL 316

## DIMENSIONS - mm

Prod. Code	Size	A	B	L	Kv	Wgt kg
1805015	15	40	27	62	36	0.315
1805020	20	47	27	74	72	0.495
1805025	25	56	39	84	114	0.757
1805032	32	59	39	97	168	1.04
1805040	40	72	46	110	227	1.65
1805050	50	81	58	132	360	2.51
1805065	65	92	70	151	800	3.69
1805080	80	115	90	178	1140	6.10
1805100	100	133	100	213	1480	9.21

## PRESSURE/TEMPERATURE DIAGRAM

