



Series 1802

Zetco WaterMarked
DZR Swing
Check Valve

FEATURES

MANUFACTURED IN ITALY

WATERMARKED TO AS1628 LICENCE WM-022360

AUSTRALIAN REGISTERED DESIGN 14976~14984/2013

CAN BE INSTALLED IN HORIZONTAL OR VERTICAL POSITION

ALL VALVES PRESSURE TESTED DURING PRODUCTION

SIZE RANGE: 15MM TO 100MM

PRESSURE AND TEMPERATURE RATINGS

TEMPERATURE RANGE: 0°C TO 99°C

MAXIMUM OPERATING PRESSURE AT NOMINAL TEMPERATURES: 1600kPa

BIM-MEP^{AUS}



WaterMark

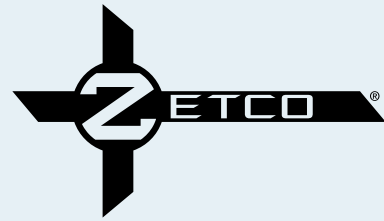
IAPMO WM-022360
AS 1628

V.01

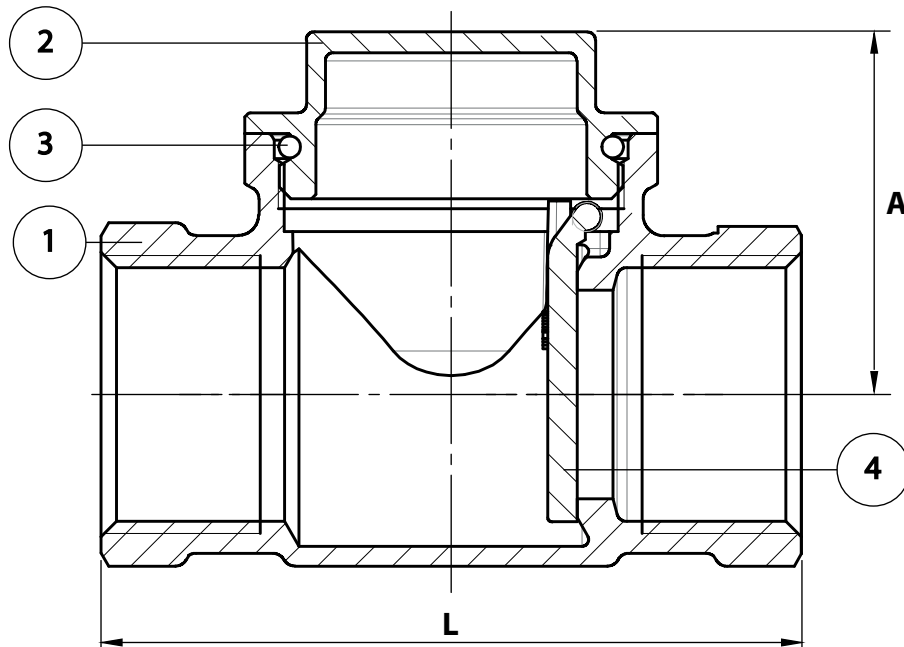
Series 1802

Zetco WaterMarked

DZR Brass Swing Check Valve



DIMENSIONAL AND COMPONENT DIAGRAM



MATERIALS

POS.	PART NAME	MATERIALS
1	BODY	DZR BRASS
2	BONNET	DZR BRASS
3	O-RING	EPDM PEROXIDE
4	DISC	DZR BRASS

DIMENSIONS - mm

Prod. Code	Size	A	L	Kv	Wgt kg
1802015	15	31	59	10	0.160
1802020	20	34	68	20	0.239
1802025	25	44	84	33	0.440
1802032	32	47	96	60	0.810
1802040	40	54	105	120	0.820
1802050	50	62	125	185	1.29
1802065	65	73	150	297	2.06
1802080	80	85	167	465	3.13
1802100	100	106	207	877	5.66