



Series 1736

Zetco Bronze
Gate Valve F&F
NPT Threads

FEATURES

MANUFACTURED IN ITALY

ANSI B1.20.1 NPT THREADS

FULL BORE

CAST IRON HAND WHEEL

MUST BE OPERATED IN FULLY OPEN OR CLOSED POSITION

ALL VALVES PRESSURE TESTED DURING PRODUCTION

SIZE RANGE: 10MM TO 25MM

PRESSURE AND TEMPERATURE RATINGS

TEMPERATURE RANGE: -10°C TO 99°C

MAXIMUM OPERATING PRESSURE AT NOMINAL TEMPERATURES: 2000 kPa

FOR RATINGS AT SPECIFIC TEMPERATURES REFER TO GRAPH OVERLEAF

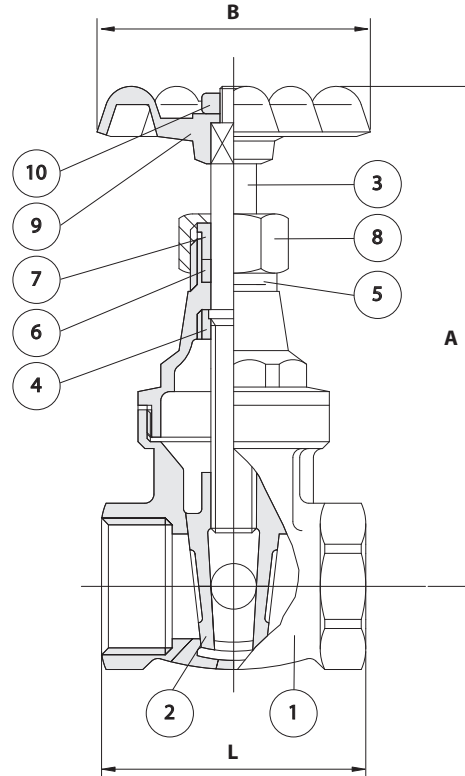


Series 1736

Zetco Bronze Gate Valve F&F NPT Threads



DIMENSIONAL AND COMPONENT DIAGRAM



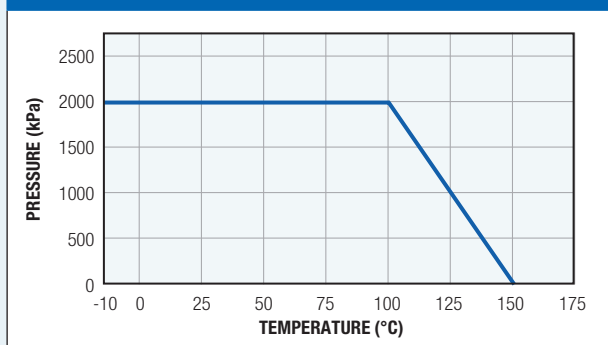
MATERIALS

POS.	PART NAME	MATERIALS
1	BODY	BRONZE
2	WEDGE	DZR BRASS
3	STEM	DZR BRASS
4	PACKING	DZR BRASS
5	BONNET	DZR BRASS
6	PACKING	PTFE
7	GLAND	DZR BRASS
8	GLAND NUT	BRONZE
9	HAND WHEEL	CAST IRON
10	HANDLE NUT & DISC	STAINLESS STEEL 304

DIMENSIONS - mm

Prod. Code	Size	A	B	L	Kv	Wgt kg
1706010	10	73	54	41	8	0.250
1706015	15	73	54	50	13	0.310
1706020	20	90	54	51	30	0.410
1706025	25	100	64	57	50	0.570

PRESSURE/TEMPERATURE DIAGRAM



V.00

NOV 19

PHONE 1300 659 639 EMAIL orders@zetco.com.au WEB www.zetco.com.au © Zetco Valves Pty Ltd 2019

The information in this specification must only be used for assessing a product's suitability for a particular use. The information remains the intellectual property of Zetco Valves Pty Ltd and must not be used or reproduced for any other purpose without Zetco's prior written permission.