



## Series 1715

Tour & Andersson  
DZR Brass  
Tested Gate Valve  
c/w DZR Brass T Bar

### FEATURES

MANUFACTURED IN SWEDEN

WATERMARKED TO AS 1628 LICENCE WMKA00772

FULL BORE

SUITABLE FOR USE WITH DIESEL

INTERNAL GUIDES ENSURE PROPER CLOSURE OF GATE

DZR BRASS T BAR

PRECOMPRESSED PTFE GLAND PACKING

MUST BE OPERATED IN FULLY OPEN OR CLOSED POSITION

ALL VALVES PRESSURE TESTED DURING PRODUCTION

SIZE RANGE: 20MM TO 50MM

### PRESSURE AND TEMPERATURE RATINGS

TEMPERATURE RANGE: -10°C TO 99°C

MAXIMUM OPERATING PRESSURE AT NOMINAL TEMPERATURES: 2500 kPa



**WaterMark**

LN WMKA00772  
AS 1628

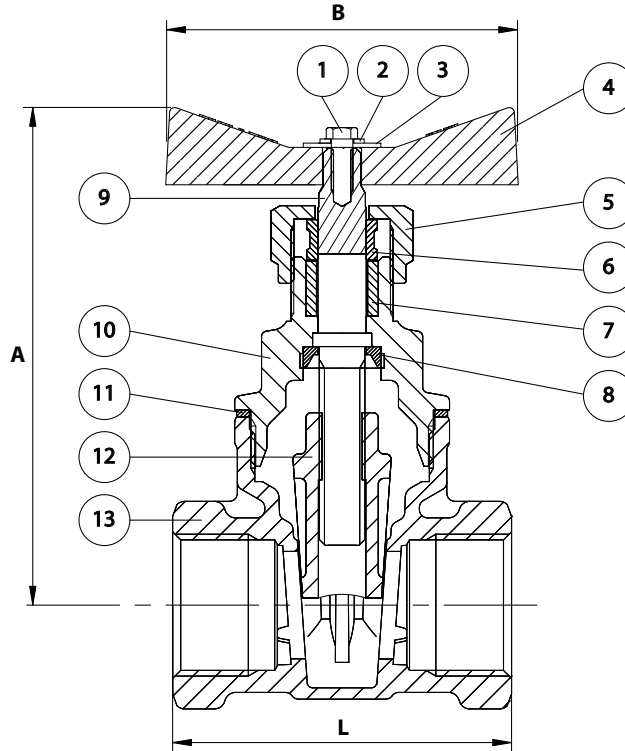
# Series 1715

Tour & Andersson DZR Brass

Tested Gate Valve c/w DZR Brass T Bar



## DIMENSIONAL AND COMPONENT DIAGRAM



### MATERIALS

POS.	PART NAME	MATERIALS
1	BOLT	STAINLESS STEEL 316
2	WASHER	STAINLESS STEEL 316
3	DISC	STAINLESS STEEL 304
4	T BAR	DZR BRASS
5	GLAND NUT	DZR BRASS
6	GLAND	DZR BRASS
7	PACKING	PTFE + CARBON
8	LOCK RING	DZR BRASS
9	STEM	DZR BRASS
10	BONNET	DZR BRASS
11	GASKET	VULCANISED FIBRE
12	WEDGE	DZR BRASS
13	BODY	DZR BRASS

### DIMENSIONS - mm

Prod. Code	Size	A	B	L	Kv	Wgt kg
1715020	20	92.8	65	63	40	0.550
1715025	25	99.8	65	73	60	0.770
1715032	32	118.5	85	83	100	1.18
1715040	40	142.5	85	86	150	1.56
1715050	50	162.8	105	99	270	2.48