

Series 1412

Zetco WaterMarked
DZR Brass
Mini Ball Valve M&F

FEATURES

MANUFACTURED IN ITALY

WATERMARKED TO AS 5830.1 LICENCE WM-020044

BLOW-OUT PROOF STEM

MUST BE OPERATED IN FULLY OPEN OR CLOSED POSITION

ALL VALVES PRESSURE TESTED DURING PRODUCTION

SIZE: 6MM

OTHER SIZES AVAILABLE UPON REQUEST

PRESSURE AND TEMPERATURE RATINGS

TEMPERATURE RANGE: 0°C TO 99°C

MAXIMUM OPERATING PRESSURE AT NOMINAL TEMPERATURES: 2500 kPa



WaterMark

IAPMO WM-020044
AS 5830.1

V.00

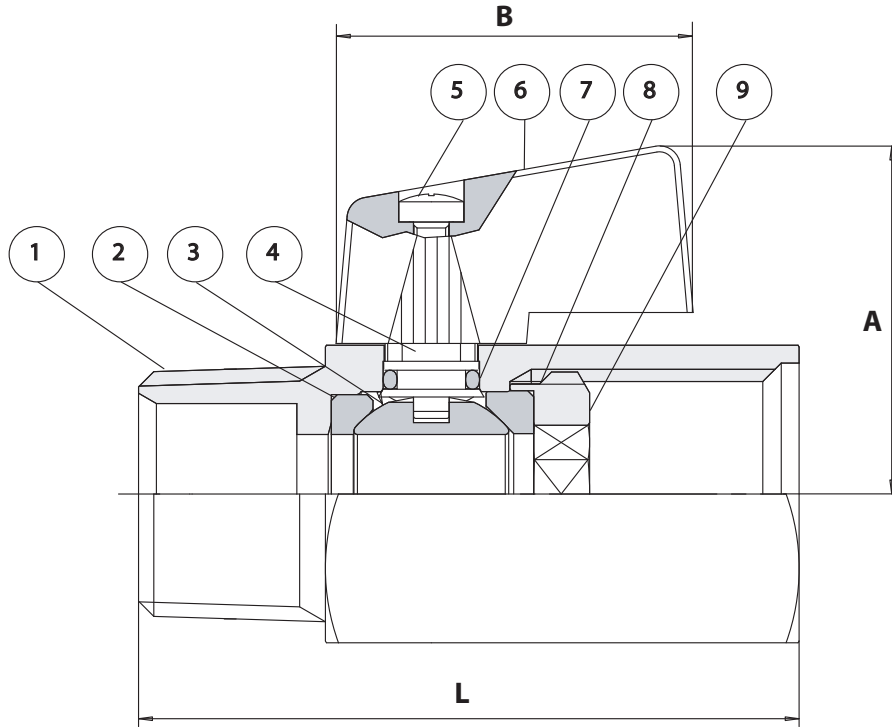
Series 1412

Zetco WaterMarked DZR Brass

Mini Ball Valve M&F



DIMENSIONAL AND COMPONENT DIAGRAM



MATERIALS

POS.	PART NAME	MATERIALS
1	BODY	DZR BRASS
2	SEAL	PTFE
3	BALL	DZR BRASS (CHROME PLATED)
4	STEM	DZR BRASS
5	SCREW	STAINLESS STEEL 304
6	HANDLE	NYLON
7	O-RING	EPDM PEROXIDE
8	SEAL	PTFE
9	RETAINING NUT	DZR BRASS

DIMENSIONS - mm

Prod. Code	Size	A	B	L	Kv	Wgt kg
1412006	6	28	30	46	0.77	0.089

V.00

AUG 19

PHONE 1300 659 639 EMAIL orders@zetco.com.au WEB www.zetco.com.au © Zetco Valves Pty Ltd 2019

The information in this specification must only be used for assessing a product's suitability for a particular use. The information remains the intellectual property of Zetco Valves Pty Ltd and must not be used or reproduced for any other purpose without Zetco's prior written permission.