



## Series 1297

Zetco WaterMarked  
DZR Brass Ball Valve F&F  
Stainless Steel Ball &  
Lockable Lever Handle

### FEATURES

MANUFACTURED IN ITALY

FULL BORE

STAINLESS STEEL 316 BALL, LEVER HANDLE & NUT

LOCKABLE HANDLE ALLOWS VALVE TO BE LOCKED IN OPEN OR CLOSED POSITION

WATERMARKED TO AS 4796 LICENCE WM-022133

BLOW-OUT PROOF STEM

MUST BE OPERATED IN FULLY OPEN OR CLOSED POSITION

ALL VALVES PRESSURE TESTED DURING PRODUCTION

SIZE RANGE: 15MM TO 50MM

### PRESSURE AND TEMPERATURE RATINGS

TEMPERATURE RANGE: -20°C TO 99°C

MAXIMUM OPERATING PRESSURE AT NOMINAL TEMPERATURES: 2500 kPa

FOR RATINGS AT SPECIFIC TEMPERATURES REFER TO GRAPH OVERLEAF



**WaterMark**

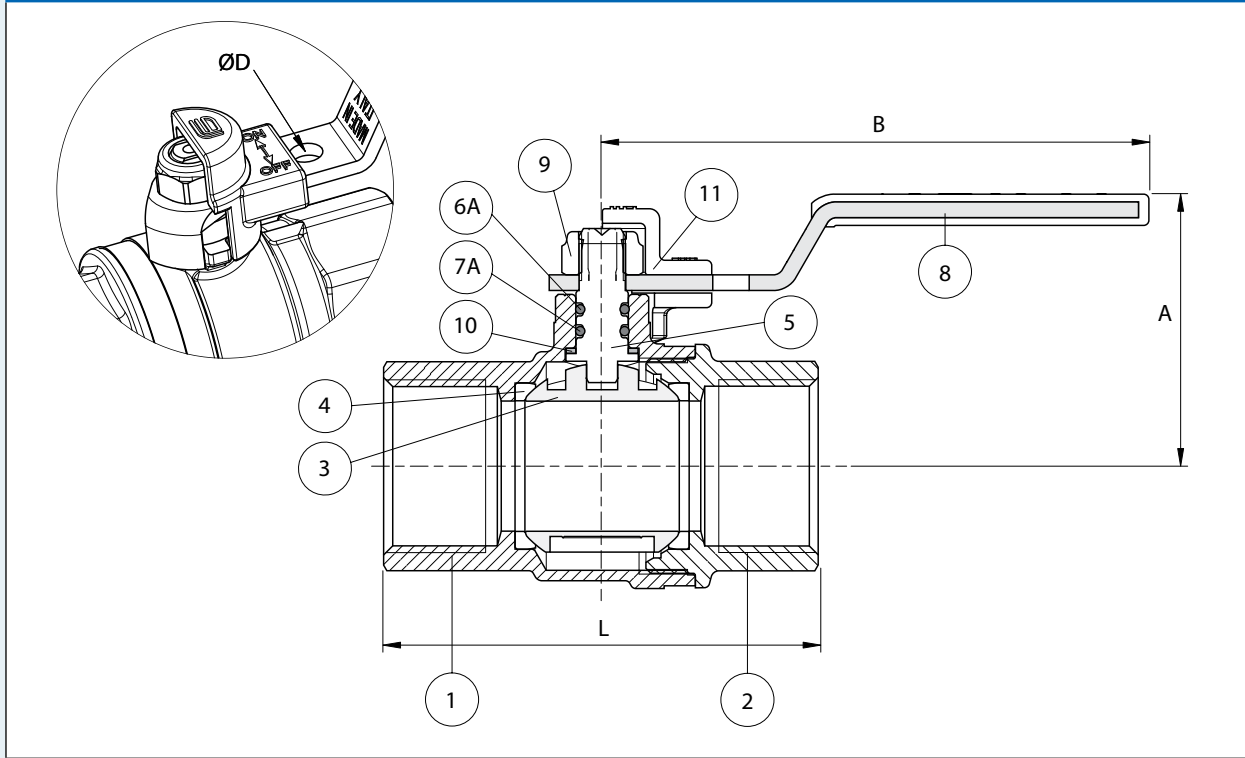
IAPMO WM-022133  
AS 4796

# Series 1297

Zetco WaterMarked DZR Brass Ball Valve  
F&F S/Steel Ball & Lockable Lever Handle



## DIMENSIONAL AND COMPONENT DIAGRAM



### MATERIALS

POS.	PART NAME	MATERIALS
1	BODY	DZR BRASS
2	END ADAPTOR	DZR BRASS
3	BALL	STAINLESS STEEL 316
4	SEAL	PTFE
5	STEM	DZR BRASS
6A	UPPER O-RING	HNBR
7A	LOWER O-RING	EPDM PEROXIDE
6B	GLAND NUT	BRASS
7B	CONICAL SEAL	PTFE
8	HANDLE	STAINLESS STEEL 316
9	NUT	STAINLESS STEEL 316
10	THRUST WASHER	PTFE
11	LOCKING MECHANISM	STAINLESS STEEL 316

### DIMENSIONS - mm

Prod. Code	Size	A	B	L	ØD	Kv	Wgt kg
1297015	15	40	85	60	6	15	0.210
1297020	20	48	105	69	7	28	0.350
1297025	25	52	105	83	7	39	0.530
1297032	32	63	130	97	8	84	0.835
1297040	40	69	130	107	8	156	1.35
1297050	50	83	165	129	9	243	2.05

### PRESSURE/TEMPERATURE DIAGRAM

