



Series 1096

Zetco WaterMarked
DZR Brass Ball Valve
M&F DZR Brass
Hand Wheel

FEATURES

MANUFACTURED IN ITALY
WATERMARKED TO AS 4796 LICENCE WM-022133
APPRAISED TO WATER CORPORATION SPS 254 APPRAISAL No. PA 04-11
STAINLESS STEEL 316 BALL
DZR BRASS HAND WHEEL
FULL BORE
BLOW-OUT PROOF STEM
MUST BE OPERATED IN FULLY OPEN OR CLOSED POSITION
ALL VALVES PRESSURE TESTED DURING PRODUCTION
SIZE RANGE: 20MM TO 25MM

PRESSURE AND TEMPERATURE RATINGS

TEMPERATURE RANGE: -20°C TO 99°C
MAXIMUM OPERATING PRESSURE AT NOMINAL TEMPERATURES: 2500 kPa



APPRAISAL No. PA 04-11
SPS 254



WaterMark

IAPMO WM-022133
AS 4796

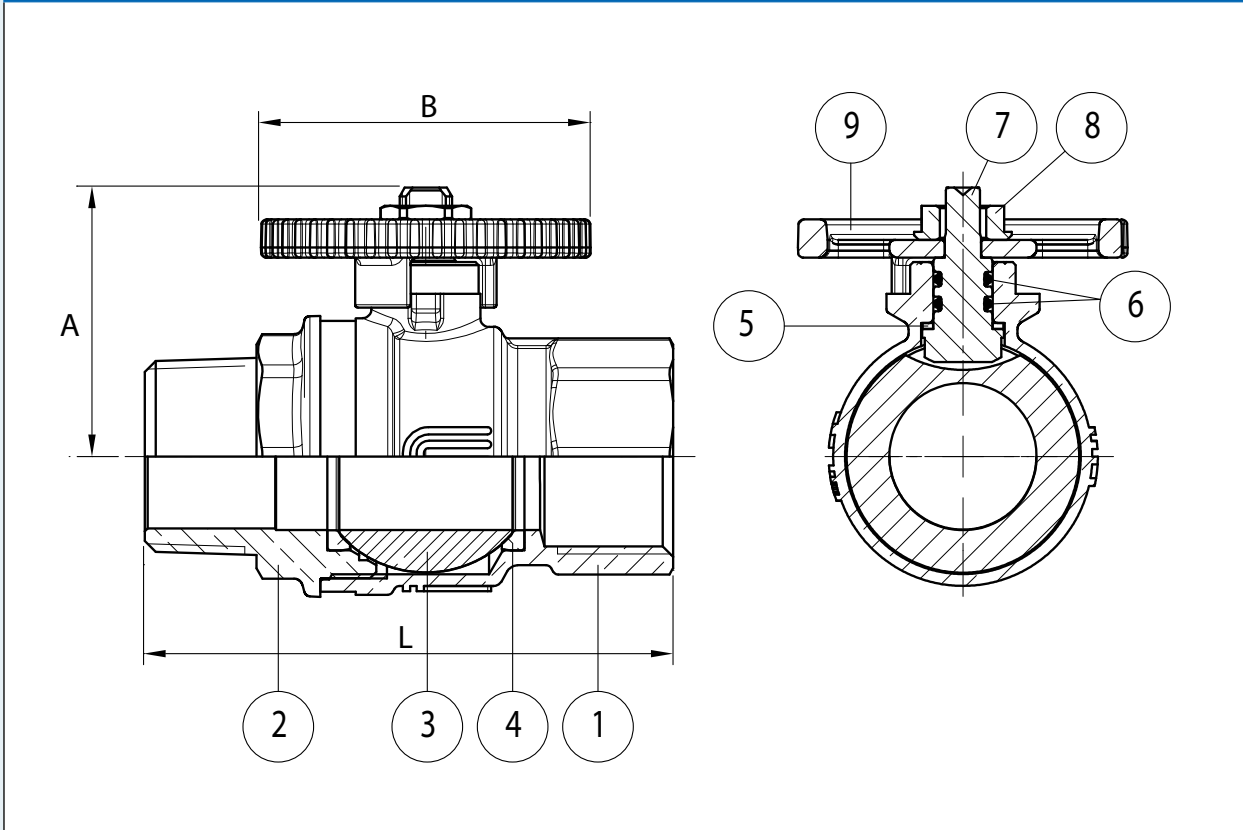
Series 1096

Zetco WaterMarked DZR Brass

Ball Valve M&F DZR Brass Hand Wheel



DIMENSIONAL AND COMPONENT DIAGRAM



MATERIALS

POS.	PART NAME	MATERIALS
1	BODY	DZR BRASS
2	END ADAPTOR	DZR BRASS
3	BALL	STAINLESS STEEL 316
4	SEAL	REINFORCED PTFE
5	THRUST WASHER	REINFORCED PTFE
6	O-RINGS	EPDM
7	STEM	DZR BRASS
8	NUT	DZR BRASS
9	HAND WHEEL	DZR BRASS

DIMENSIONS - mm

Prod. Code	Size	A	B	L	Kv	Wgt kg
1096020	20	41.7	56	77.8	28	0.372
1096025	25	45.7	56	90	39	0.563