



Series 1094

Zetco WaterMarked
DZR Brass Ball Valve
F&F Stainless Steel 316
Ball & Lever

FEATURES

MANUFACTURED IN ITALY

WATERMARKED TO AS 4796 LICENCE WM-022133

APPRAISED TO WATER CORPORATION SPS 252 APPRAISAL No. PA 03-11

STAINLESS STEEL 316 BALL, LEVER AND NUT

FULL BORE

BLOW-OUT PROOF STEM

MUST BE OPERATED IN FULLY OPEN OR CLOSED POSITION

ALL VALVES PRESSURE TESTED DURING PRODUCTION

SIZE RANGE: 15MM TO 50MM

PRESSURE AND TEMPERATURE RATINGS

TEMPERATURE RANGE: -20°C TO 99°C

MAXIMUM OPERATING PRESSURE AT NOMINAL TEMPERATURES: 2500kPa



APPRAISAL No. PA 03-11
SPS 252



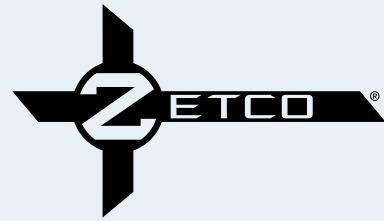
WaterMark

IAPMO WM-022133
AS 4796

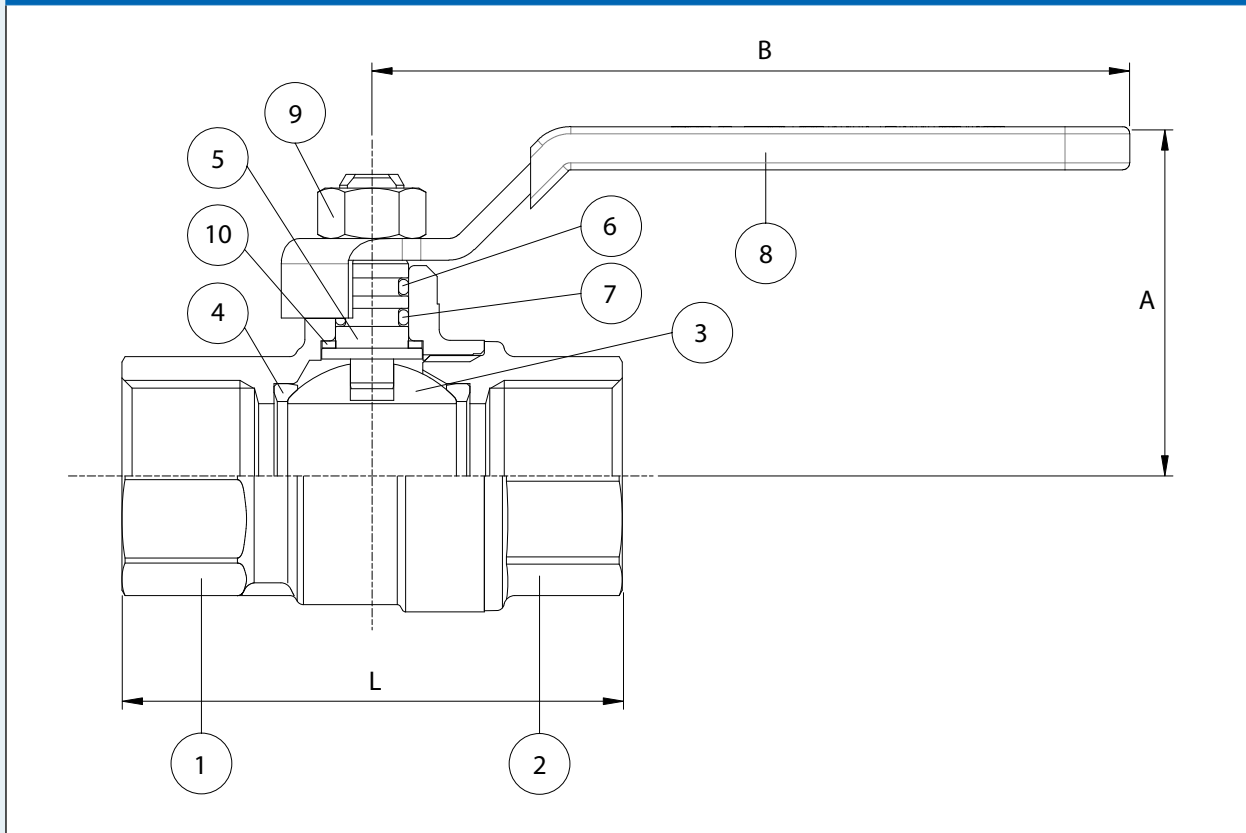
Series 1094

Zetco WaterMarked DZR Brass Ball Valve

F&F Stainless Steel 316 Ball & lever



DIMENSIONAL AND COMPONENT DIAGRAM



MATERIALS

POS.	PART NAME	MATERIALS
1	BODY	DZR BRASS
2	END ADAPTOR	DZR BRASS
3	BALL	STAINLESS STEEL 316
4	SEAL	REINFORCED PTFE
5	STEM	DZR BRASS
6	UPPER O-RING	EPDM
7	LOWER O-RING	EPDM PEROXIDE
8	HANDLE	STAINLESS STEEL 316
9	NUT	STAINLESS STEEL 316
10	THRUST WASHER	REINFORCED PTFE

DIMENSIONS - mm

Prod. Code	Size	A	B	L	Kv	Wgt kg
1094015	15	40	85	60	15	0.203
1094020	20	48	105	69	28	0.332
1094025	25	52	105	83	39	0.503
1094032	32	63	130	96.5	84	0.871
1094040	40	69	130	107	156	1.31
1094050	50	83	165	129	243	1.90