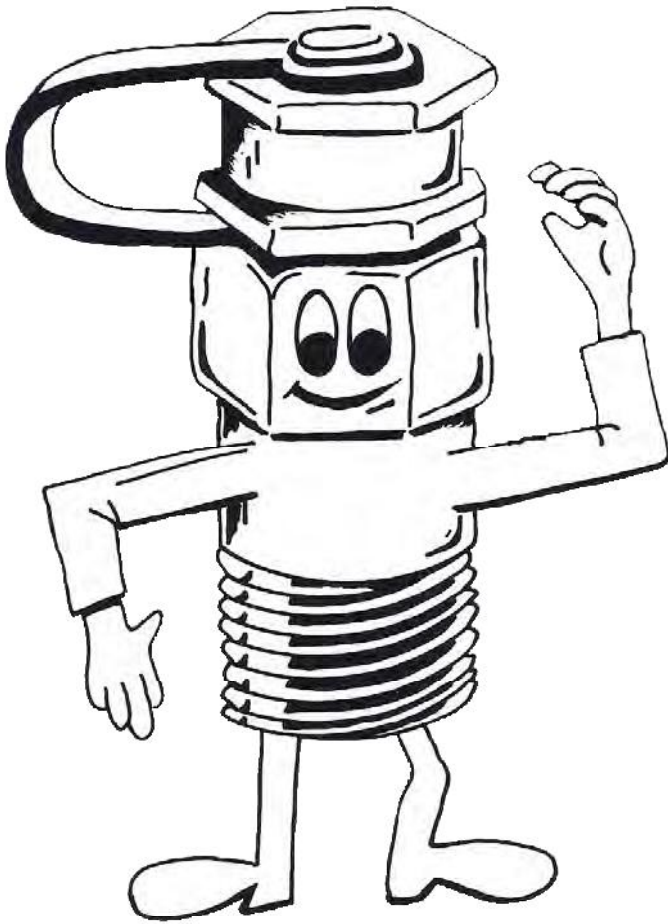


# Pete's Plug II

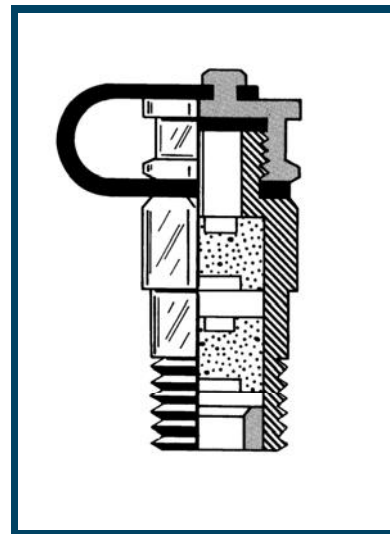
The successor to the real Pete's Plug®.

Pete's Plug® will allow you to take pressure and temperature readings quickly and eliminate the need for leaving costly gauges or temperature indicators on the line.



Depending on the application, the Pete's Plug® can be operated to a maximum of 500 psi (3447kPa) and 200° or 275°F(93°C or 135°C) for neoprene or nardel respectively. A maximum working pressure of 1000 psi (6895 kPa) can be obtained within the temperature ranges of 140° to -20°F(60°C to -29°C).

**The enhanced version of Pete's Plug® is still the only pressure and temperature test plug with two self-closing valves, but the valves are improved which speeds valve closure.**





#110 (Nordel) #100 (Neoprene)

Pete's Plug II is available in various pipe thread sizes, lengths, and materials to satisfy each application. The XL Pete's Plug II will allow you to insulate the test point and not completely cover the Pete's Plug®. The XL Pete's Plug II eliminates extra fittings for insulated applications.

### Pressure or Temperature Tests

Take pressure and temperature readings quickly with the line pressurized. Reduce the need for costly permanent installation of gauges and recorders on the line.

### How to operate:

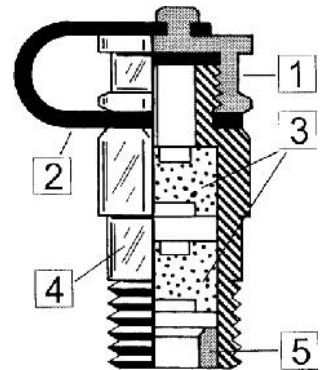
The Pete's Plug II is permanently installed in the line at recommended test points. The cap protects the valve and provides an additional seal. After the cap has been removed, either a test thermometer or a gauge adapter with the proper pressure gauge can be inserted through the two, self-closing valves in the Pete's Plug®. Readings are made and adjustments or tests can be accomplished and when the probes are withdrawn the two valves close. The protective cap is then reinstalled. Tests should be made as quickly as possible since the valve reseal time is dependent upon time of insertion, time, and pressure. Slower reseal time can be expected at a lower temperature and lower pressures.

### Suggested Specifications for pressure and temperature test stations:

Supply and install where indicated "Pete's Plug II" a 1/4" fitting to receive either a temperature or pressure probe 1/8" OD. Fitting shall be solid brass with two valve cores of Neoprene (Max 200°F) at 500 psi, or Nordel (Max 275°F) at 500 psi, fitted with a color coded cap strap with gasket and shall be rated at 1000psi at 140 F. In addition, the installing contractor shall Supply and present to the owner upon completion of testing a pressure and temperature test kit. It will consist of 0-100 psi (700kPa) pressure gauge with a number 500 gauge adapter attached. It will contain one 25-125°F and one 0-220°F pocket testing thermometer. Also, included will be an extra number 500 gauge adapter and protective carrying case with foam inserts.

### Standard Length Pete's Plug II

1. Cap and Gasket
2. Cap retaining strap
3. Two self closing valves to speed valve closure
4. Valve body
5. Valve retainer



### Pressure and temperature test kit:

Supply and present to the owner upon completion of testing a pressure and temperature test kit. It will consist of 0-100 psi (700kPa) pressure gauge with a number 500 gauge adapter attached. It will contain one 25-125°F and one 0-220°F pocket testing thermometer. Also, included will be an extra number 500 gauge adapter and protective carrying case with foam inserts.



#1500 pressure and temperature test kit

## Applications

In general the Pete's Plug® is a time and money saving device which is well suited for most plant and pipeline systems and is designed to eliminate gauge cocks and thermometer wells. Hot and chilled water systems, heat exchangers, pumps, differential readings, air, gas lines, and numerous other applications are only a few of the areas where the Pete's Plug are presently being used.

## Valve Materials

**Neoprene** is a chloroprene based synthetic rubber and is resistant to deterioration from waxes, fats, oils, greases, petroleum products and most refrigerants.

**Nordel** is a ethylene-propylene based synthetic rubber and gives excellent service in hot and cold water and in some applications of low steam. Nordel is resistant to detergents, phosphate esters, ketone, alcohols, and glycols. It is not suitable for petroleum products.

Neoprene and nordel are proprietary materials and the information presented herein is believed to be accurate. Peterson Equipment Co., Inc. can assume no liability for results obtained or damages incurred through the application of this information. The information given is intended as a guide. If ever in doubt just ask!



## Pressure Tests

The pressure gauge adapter has a probe constructed of 304 stainless steel. The wall thickness of the probe is 0.156" in diameter and extends 2 inches on the standard adapter (#500) and 3 1/2 inches on the extra long adapter (#500XL). The 1/8" diameter probe is less likely to become clogged with foreign materials and resist bending. The 1/8" diameter probe will work with all the sizes available except #12500. This Pete's Plug needs a smaller probe of 1/16" in diameter (#510). Please note the 500XL gauge adapter will operate in any of the Pete's Plugs, but it's intended for use in our extended length Pete's Plugs®

## Temperature Tests

The test thermometer is constructed of stainless steel, has a 1.75" dial, and has a bi-metallic sensing element. Accuracy of this product within .5% over the entire scale can be expected. Pointer adjustment or recalibrations can be made by turning the hex nut on the back of the dial case. The stem should be immersed in a known, controlled temperature bath. Stem length's are 5" and can be inserted into all Pete's Plug II products except the #12500. Digital thermometers have the same specifications but cannot be recalibrated in the field.

# Pete's Plug II

The successor to the real Pete's Plug®.

Valve Core Material	Maximum Temperature	Maximum Pressure	Strap Color
Neoprene	200°F	500 psi	Blue-Neoprene
Nordel	275°F	500 psi	Yellow-Nordel

## Ordering Information

Part Number	Valve Core Material	Thread Size	Body and Cap Material	Length
100	Neoprene	1/4"NPT	Brass	1 1/2"
110	Nordel	1/4"NPT	Brass	1 1/2"
100XL	Neoprene	1/4"NPT	Brass	3"
110XL	Nordel	1/4"NPT	Brass	3"
300	Neoprene	3/8"NPT	Brass	1 1/2"
310	Nordel	3/8"NPT	Brass	1 1/2"
400	Neoprene	1/4"NPT	316SS	1 1/2"
410	Nordel	1/4"NPT	316SS	1 1/2"
700	Neoprene	1/2"NPT	Brass	1 1/2"
710	Nordel	1/2"NPT	Brass	1 1/2"
700XL	Neoprene	1/2"NPT	Brass	3"
710XL	Nordel	1/2"NPT	Brass	3"
12500	Neoprene	1/8"NPT	Brass	1 1/4"

\*\*Cap retaining straps are standard on all Pete's Plugs®\*\*

### Gauge Adapters

(All Connections are 1/4"NPTF)

- 500 Gauge adapter with 1/8" diameter probe
- 500XL Gauge adapter with 1/8" diameter probe for XL Pete's Plug®
- 510 Gauge adapter with 1/16" diameter probe\*\*
- 520 Gauge adapter with 1/8" diameter probe all stainless steel

\*\*510 is the **only** gauge adapter that will fit part number 12500

### Test Kits

- 1500 Pressure and temperature test kit
- 1500XL Pressure and temperature test kit for XL Pete's Plugs®

### Dial Pocket Testing Thermometers

Part Number	Range	Degree Division
600	-40°F to 160°F	2
601	25°F to 125°F	1
603	0°F to 220°F	2

### Digital Pocket Testing Thermometers

Part Number	Range	Degree Division
606	-58°F to 572°F	0.1