

# RESILIENT SEAT BUTTERFLY VALVE LUGGED DN50 - DN200 MODEL: BFL-AGA



## FEATURES AND BENEFITS

- Australian Gas Association (AGA) approved. Licence No: 8434G.
- Designed and tested in accordance with AS4795.1.
- End of line service/isolation.
- Bi – directional bubble tight sealing.
- Vulcanised seat held securely in position making it suitable for vacuum applications.
- High strength two piece shaft provides greater flow capabilities and eliminates pins & bolts.
- Blow-Out proof stem ensures operator safety and eliminates OH&S issues.
- Heavy duty shaft bushing ensures disc alignment & absorbs side thrusts, reducing valve wear whilst prolonging valve life.
- Precision disc machining ensures mirror image of seat profile enhancing low torque operation & reduced liner wear.
- Stem seal connection is ensured with moulded double “O” rings, as well as an additional upper stem seal to provide greater design integrity.
- Robust, extended neck allows easy installation of insulation and ensures bearing integrity.
- Flange seal connection is ensured with moulded double “O” rings seals eliminating the requirement for flange gaskets.
- Lockable lever handle to prevent tampering.

## APPLICATIONS

Challenger Valves and Actuators are the **“Right Choice for Valves and Actuation”** when quality matters.

Servicing the gas industry.



## TECHNICAL SPECIFICATION

- Construction:** Lugged Concentric Seal On Body Butterfly Valve
- Size:** 50mm - 200mm
- Pressure Rating:** 1050kPa
- Face to Face:** ISO5752 Series 20/ AS4795.1
- Flange Drilling:** AS4087 PN16 (Table D) AS2129 Table E ANSI B16.5 #150
- Coatings:** Fusion Bonded Epoxy AS4158
- Temperature Range:** Nitrile –10°C to 80°C
- Pressure Testing:** AS4795.1

HOW TO ORDER								
Series	Design	Seat	Disc & Stem	Connection	Rating	Size	Actuator	
BF	L	N	E	E	5	0100	H	
<b>Example:</b> DN100 BF Lugged Butterfly Valve, Nitrile Seat, SS Trim, Lugged AS2129 Table E, 1050kPa (AGA approved) with Lever Handle								
Series			Connection			Size		
BF = AS4795.1 Certified Seal on Body Butterfly Valve			E = AS2129 Table E			0050 = 2" (50mm)	0065 = 2½" (65mm)	0080 = 3" (80mm)
Seat			D = AS2129 Table D			0100 = 4" (100mm)	0125 = 5" (125mm)	0150 = 6" (150mm)
N = Nitrile (NBR)*			A = ANSI#150			0200 = 8" (200mm)		
Disc & Stem			Rating			Actuator		
E = CF8M Sainless Steel Disc & 431 Stainless Steel Stem			5 = 1050kPa (AGA Approved)			H = Lever Handle DI (standard)		



Licence Number: 8434G (Manual)

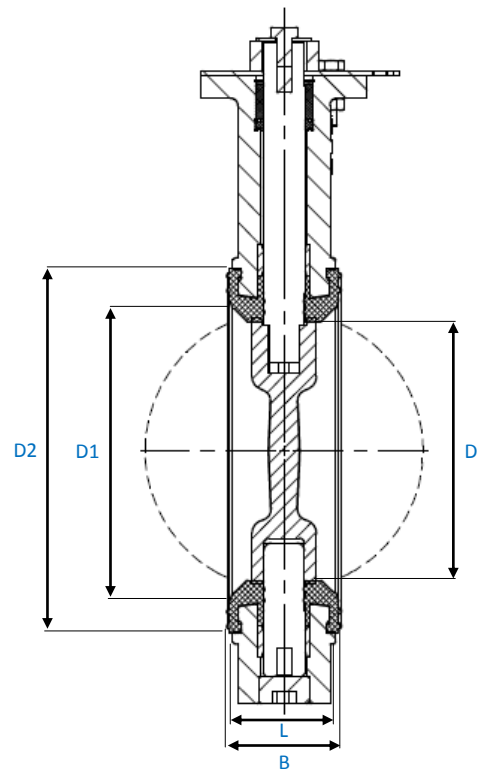
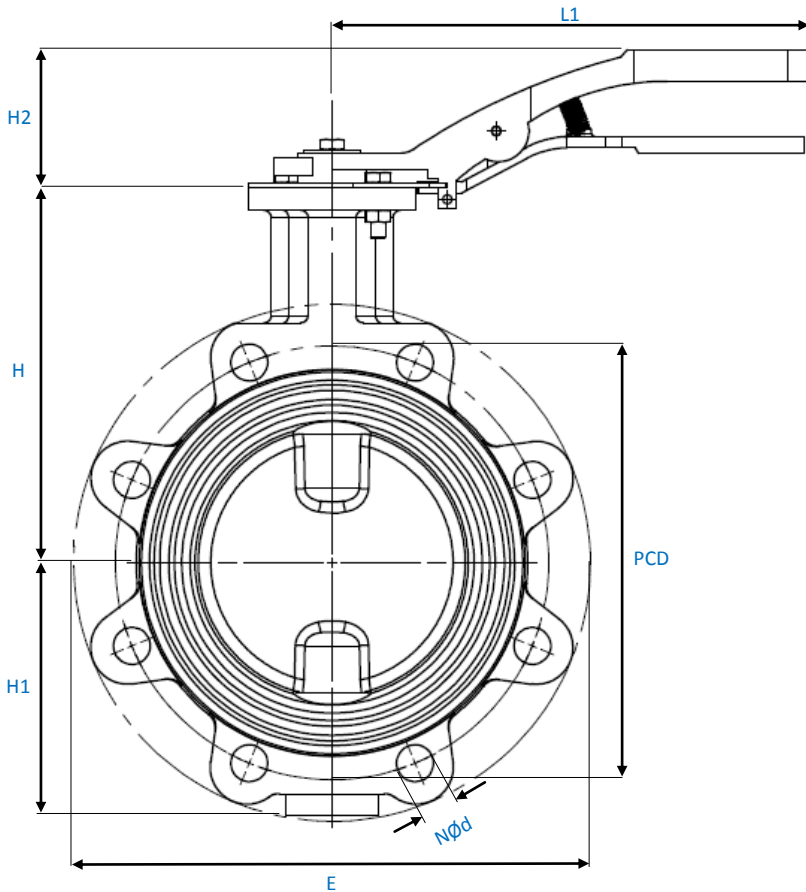
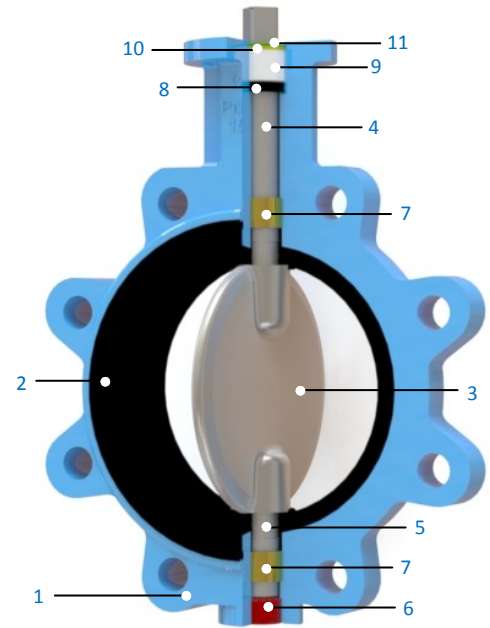
# RESILIENT SEAT BUTTERFLY VALVE LUGGED DN50 - DN200 MODEL: BFL-AGA



## TECHNICAL : VALVE DETAILS

ITEM	COMPONENT	MATERIAL	GRADE
1	Body	Ductile Iron	AS1831 500-7
2	Liner	EPDM Rubber	AS1646
3	Disc	Stainless Steel	ASTM A351-CF8M
4	Upper Shaft	Stainless Steel	ASTM 276-431
5	Lower Shaft	Stainless Steel	ASTM 276-431
6	Bottom Plug	Stainless Steel	ASTM 276-304
7	Bushing	Brass	EN12164-CW614N
8	Stem Seal	NBR Rubber	AS1646
9	Top Bushing	Acetal Delrin	ASTM-D6778-06
10	Stem Washer	Stainless Steel	ASTM 182-304
11	Cir-Clip	Stainless Steel	ASTM 182-304
*	Lever	Ductile Iron	AS1831 450-10
*	Handle	Ductile Iron	AS1831 450-10
*	Notch Plate	Stainless Steel	ATSM 182-316
*	Notch Plate Label	Aluminium	

\* Parts not shown



Size MM	ISO	L	B	L1	D	D1	D2	E	H	H1	H2	PCD		Nød			Weight KGS
												Table D&E	ANSI# 150	Table D	Table E	ANSI#150	
50	F07 (70mm)	43	47	263	40	63	86	156	145	78	75	114	121	4 X M16	4 X M16	4 X UNC 5/8	5
65	F07 (70mm)	46	50	263	57	81	103	178	152	85	75	127	140	4 X M16	4 X M16	4 X UNC 5/8	6
80	F07 (70mm)	46	52	263	67	95	118	191	156	90	75	146	152	4 X M16	4 X M16	4 X UNC 5/8	7
100	F07 (70mm)	52	59	263	90	119	143	229	178	106	75	178	191	4 X M16	8 X M16	8 X UNC 5/8	10
125	F07 (70mm)	56	62	263	115	139	171	255	191	120	75	210	216	8 X M16	8 X M16	8 X UNC 3/4	12
150	F07 (70mm)	56	62	263	141	163	198	280	203	137	75	235	241	8 X M16	8 X M20	8 X UNC 3/4	13
200	F10 (102mm)	60	67	326	191	216	249	343	241	160	93	292	299	8 X M16	8 X M20	8 X UNC 3/4	22