



**AUSTRALIAN PIPELINE VALVE®**  
www.australianpipelinevalve.com.au



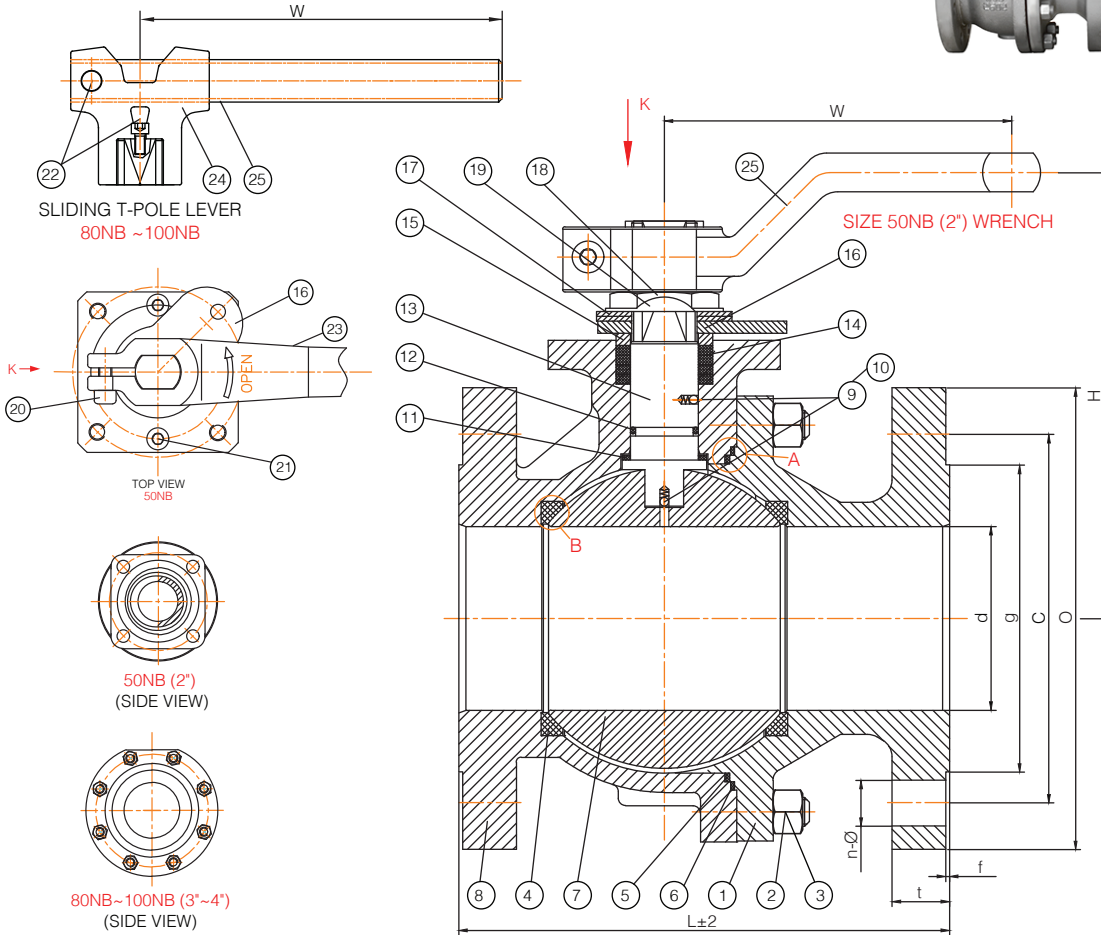
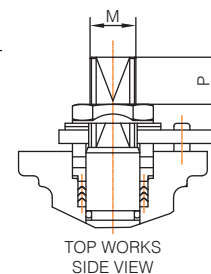
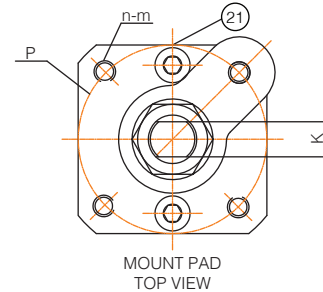
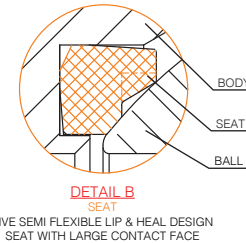
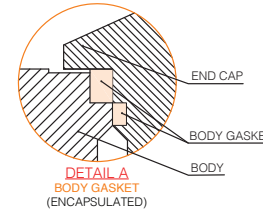
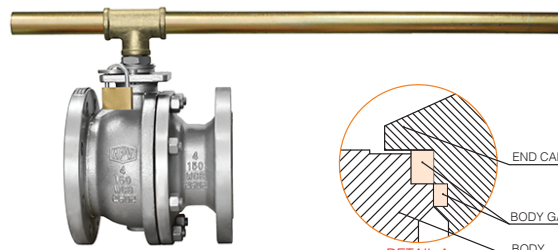
API607 5th & 6th Ed. ISO 10497  
Firesafe Certified



ISO 15848-1  
Endurance Test Certified



AS 4617, AS 4629



**BILL OF MATERIALS**

NO.	PART NAME	MATERIAL	NOTES
1	BODY CAP	ASTM A216 WCB	-
2	STUD	ASTM A193 B7M	-
3	NUT	ASTM A194 2HM	-
4	SEAT	RPTFE	-
5	GASKET	PTFE	INNER
6	GASKET	GRAPHITE	OUTER
7	BALL	SS316	SOLID FORGED
8	BODY	ASTM A216 WCB	-
9	ANTI STATIC SPRING	SS316	-
10	ANTI STATIC BALL	SS316	-
11	THRUST WASHER	PTFE	-
12	O-RING	VITON AED	-
13	STEM	ASTM A276 F316	(1) HEAT TREATED
14	STEM PACKING	GRAPHITE	(2)
15	GLAND	SS304	-
16	STOP PLATE/ LOCK DEVICE	SS304	-
17	BELLEVILLE PACKING SPRINGS	SS301	1 SET
18	GLAND NUT	ASTM A194	-
19	LOCKING TAB	SS304	-
20	SCREW	201SS	-
21	STOP BOLTS - ALLEN KEY	ASTM A193 B8	-
22	SCREW	SS304	-
23	WRENCH CLAMP TYPE	STEEL+ZP	(50NB)
24	HANDLE ADAPTOR	ASTM A351 CF8	(80-100NB)
25	PIPE HANDLE	CS+ZP	(80-100NB)

(1) STEM SMOOTHNESS Ra 0.2 ~ 0.5 µm SUPERIOR TO API REQUIREMENTS  
(2) STUFFING BOX SMOOTHNESS Ra ≤ 1.6 µm SUPERIOR TO API REQUIREMENTS

RATING	CL 150	TEST PRESSURE	
<b>DESIGN &amp; MFG.</b>	API6D & API608 & ASME B16.34	<b>SHELL HYDRO</b>	<b>SEAT HYDRO</b>
<b>PRESS-TEMP RATING</b>	ASME B16.34	2.9 Mpa   425 Psi	2.2 Mpa   325 Psi
<b>FACE TO FACE DIM.</b>	ASME B16.10	<b>SEAT AIR</b>	<b>BACKSEAT</b>
<b>END CONNECTION</b>	RFSF 3.2-6.3Ra	0.6 Mpa   87 Psi	Mpa   Psi
<b>END DIMENSION</b>	ANSI B16.5	TEMPERATURE	
<b>TEST &amp; INSPECTION</b>	API 6D, ISO 5208 RATE A	-29 TO 200 °C	-20 TO 392 °F
<b>MARKING &amp; PAINT</b>	MSS SP-25, PAINT PP WF 07.002	<b>MEDIUM</b>	Water, Oil, Gas
<b>OTHER REQ.</b>	NACE MR-01-75 & MR-01-03		
<b>PORT SIZE</b>	FULL PORT (PRESSURE BALANCED HOLE)		
<b>TRIM</b>	316 TRIM, ALL STAINLESS STEEL TOP PARTS		
<b>NOTES</b>	FIRESAFE: ISO 10497, API607 5TH/ 6TH/ 7TH, ANTI STATIC BS5351/ISO 17292		
<b>SPECIAL</b>	OPTIONAL HP SEAT TEST PERFORMED TO API598 - ISO 5208-A		

**DIMENSIONS (MM) & WEIGHT (KG)**

Inch	DN	d	L	O	C	g	n-Ø	t	f	H	W	K	M	J	ISO	P	N-m	Weight
2"	50	50	178	150	120.7	92	4-19	16.1	1.6	140.0	240	13	18	17.5	F07	70	4-M8	15
3"	80	76	203	190	152.4	127	4-19	19.1	1.6	183.5	400	18	27	27.5	F10	102	4-M10	19
4"	100	100	229	230	190.5	157	8-19	24.0	1.6	315.0	600	18	27	27.5	F10	102	4-M10	38

Dimensions in millimeters

Floating Firesafe Ball Valve, 2PC, Model SLFSBV01-AB1AHAABB7Y NPS 2"~4" (DN50~DN100) Class 150, RF, Lever Operated, FB, WCB <b>Australian Pipeline Valve</b>	<b>ORDER N°/ DWG N°</b>	20725BT - 30.1 & 33	<b>APPROVED</b>	B.T.
	<b>REV.</b>	00	<b>CHECKED</b>	S.Q.
			<b>DRAWN</b>	C.C.



**AUSTRALIAN  
PIPELINE VALVE®**  
www.australianpipelinevalve.com.au



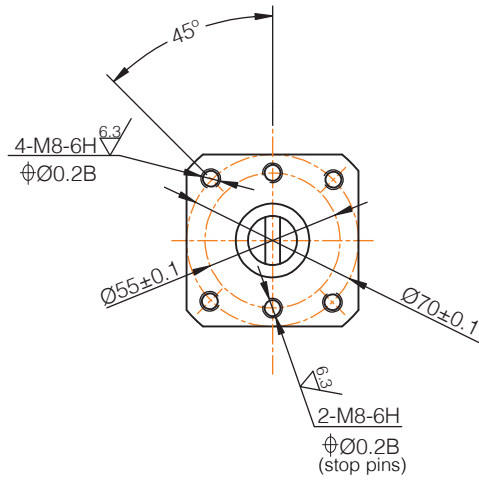
API607 5th & 6th Ed. ISO 10497  
Firesafe Certified



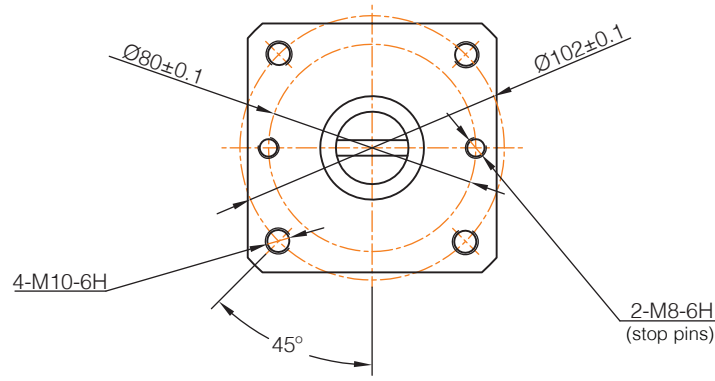
ISO 15848-1  
Endurance Test Certified



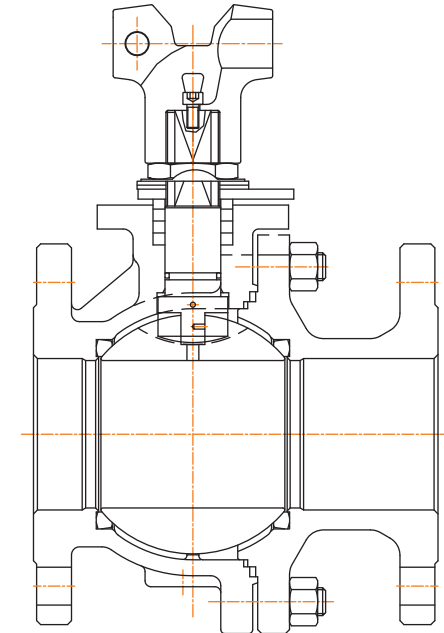
AS 4617, AS 4629



TOP MOUNT PAD  
50NB



TOP MOUNT PAD  
80~100NB

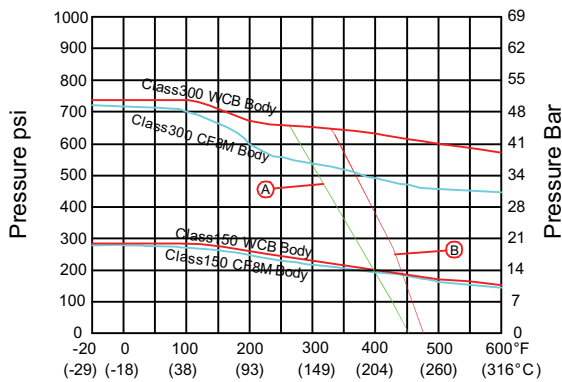


80~100NB

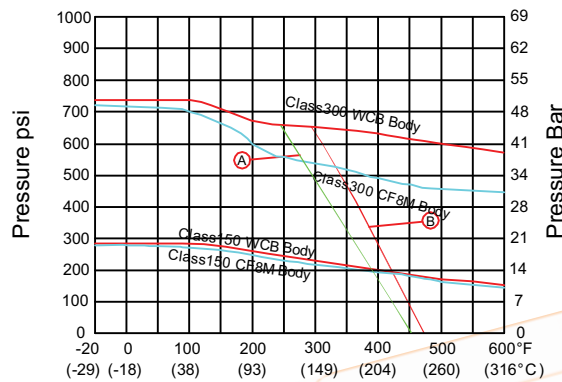
# PRESSURE / TEMPERATURE RATING CHARTS

## Floating Ball Valves, Class 150# 300#

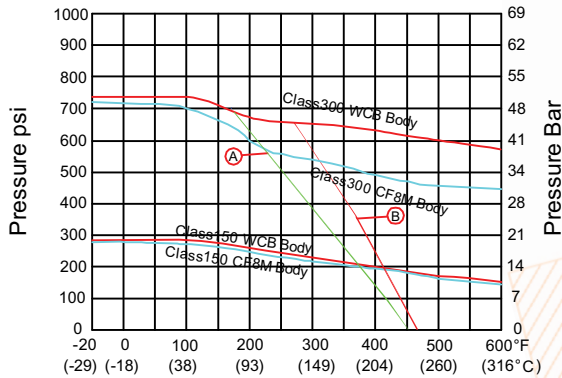
Full Bore: 15NB~25NB (1/2" to 1")



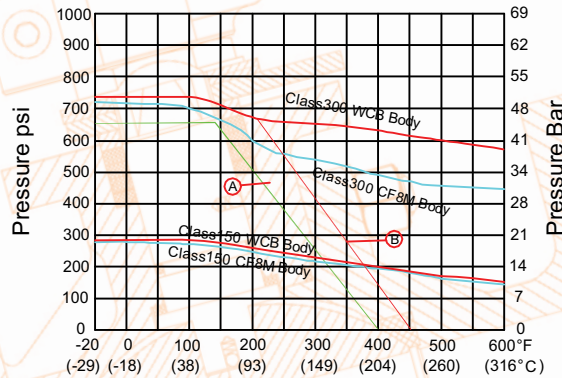
Full Bore: 32NB~65NB (1-1/4" to 2-1/2")



Full Bore: 80NB~100NB (3" to 4")



Full Bore: 125NB~200NB (5" & 6" & 8")



Seat Materials: (A) PTFE  
(B) CPTFE/RPTFE